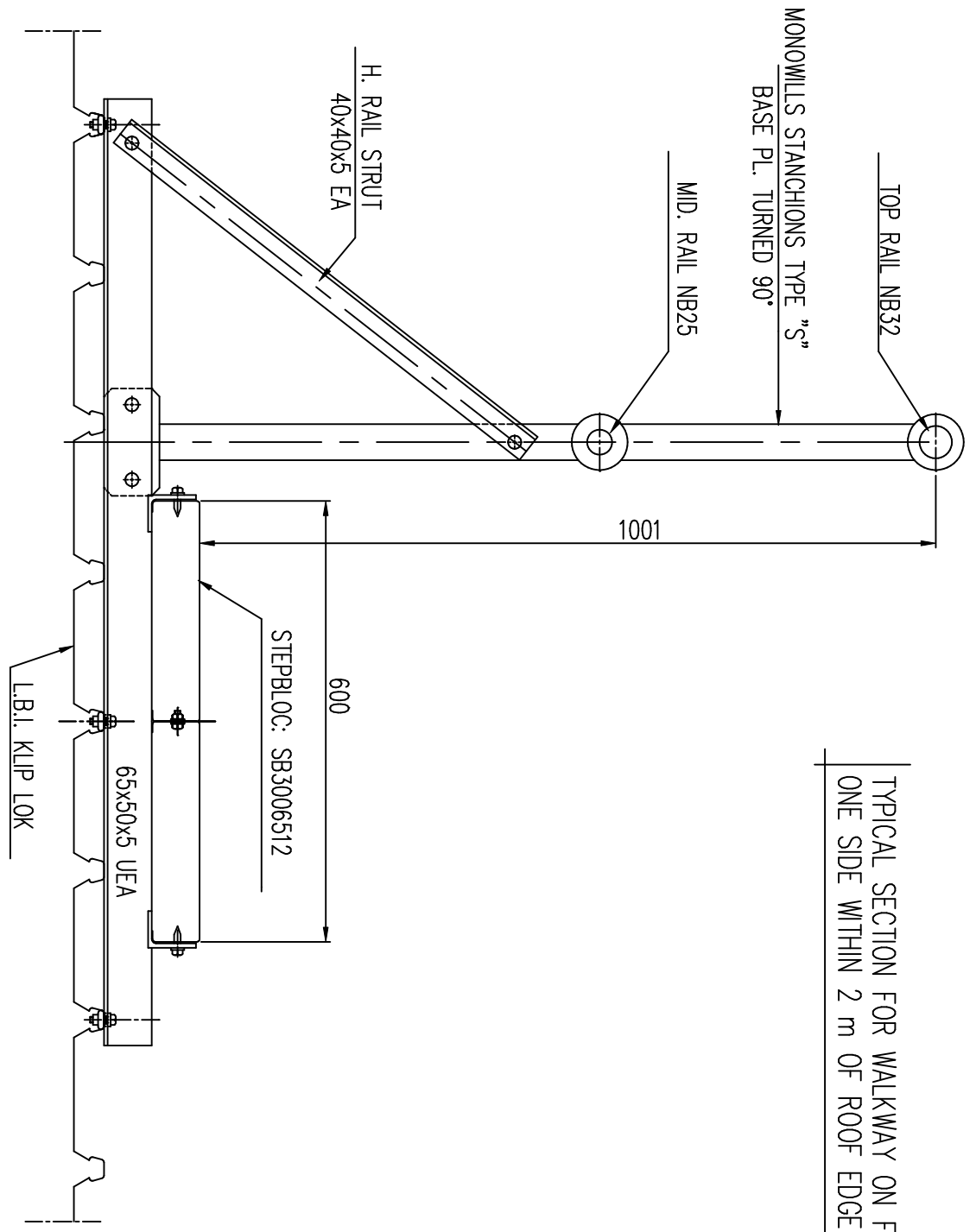


TYPICAL SECTION FOR WALKWAY ON FLAT ROOF
ONE SIDE WITHIN 2 m OF ROOF EDGE



SECTION D-D
REF. DRG. HBR 01



TOTAL ACCESS & SAFETY SYSTEMS
"ROOFWAYS" ROOF WALKWAY SYSTEMS

HALLWELD-BENNETT P/L
ABN 56 008 123 037
14 NINTH ST. WINGFIELD SA 5013
PH. (08) 8347 0800 FAX (08) 8347 0230

REV.	DRG. No.
E	
D	
C	
B	HB-RA
A	05