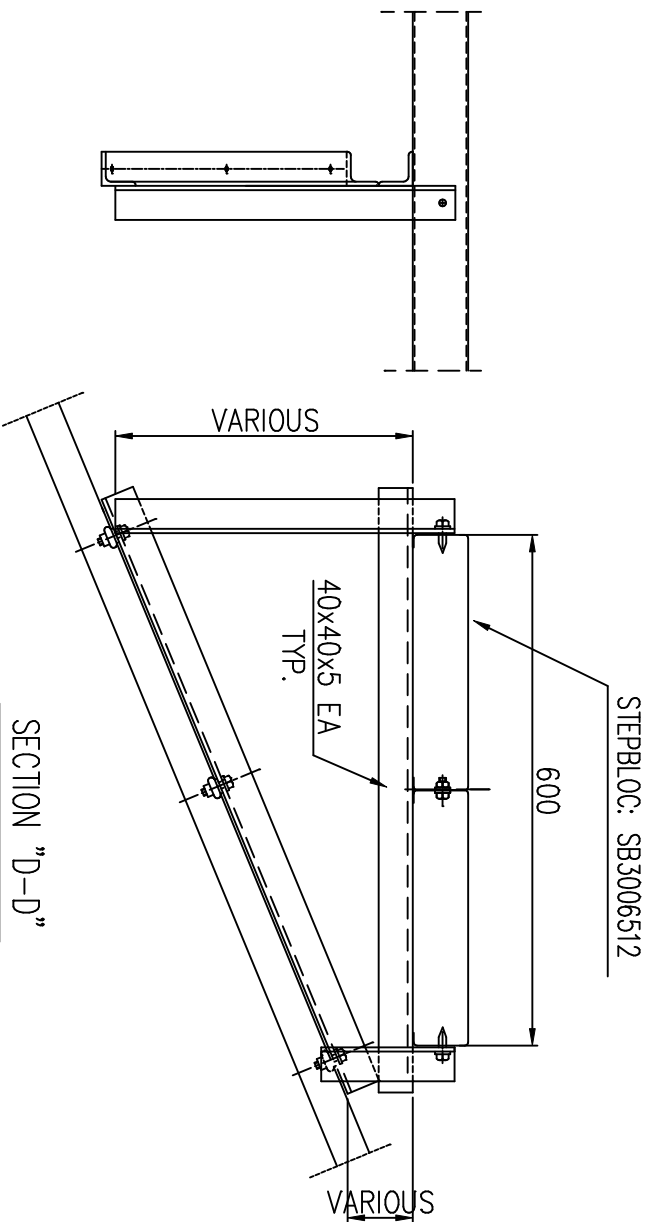


PLAN VIEW



SECTION "D-D"
REF. DRG. HB-RA 05

TYPICAL SUPPORT FOR WALKWAY
ACROSS PITCHED ROOF WITHOUT
HR. OR AS INTERMEDIATE SUPPORT



TOTAL ACCESS & SAFETY SYSTEMS
"ROOFWAYS" ROOF WALKWAY SYSTEMS

HALLWELD-BENNETT P/L
ABN 56 008 123 037

14 NINTH ST. WINGFIELD SA 5013
PH. (08) 8347 0800 FAX (08) 8347 0230

REV.	DRG. No.
E	
D	
C	HB-RA
B	13
A	